

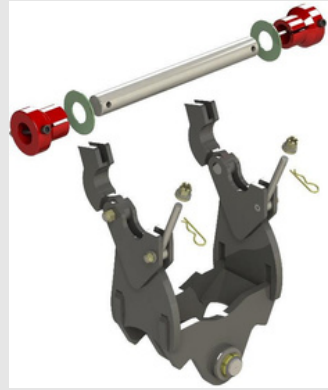
Optional modular link

This ingeniously designed link ensures that you can mount your SCE on any excavator. You can easily mount the adjustment set for your machine on the basic link, after which you can connect your SCE to it.



SCE SCRAPKING

Orange peel grab



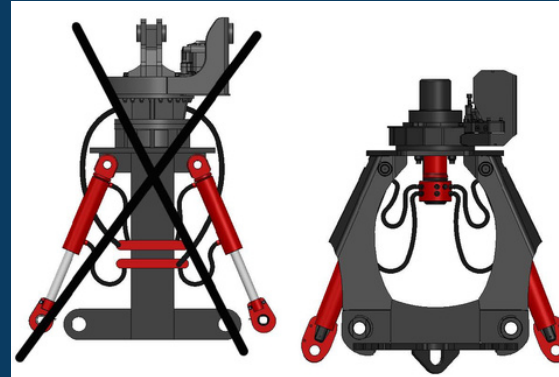
Optional Easylink

The easylink has two clamps that allow quick and easy connection to the pin of your excavator. This way of connecting makes you work safer, faster and more efficient.



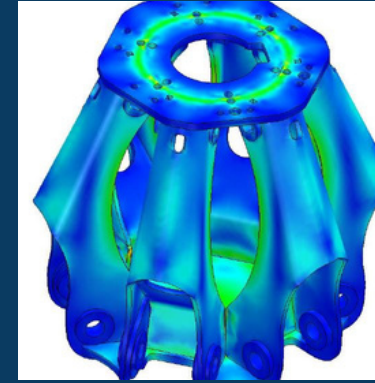
Unique protection

Our unique design eliminates the need for a central column. All components such as hoses, oil distributor and cylinders are optimally protected. Pollution is also kept to a minimum.



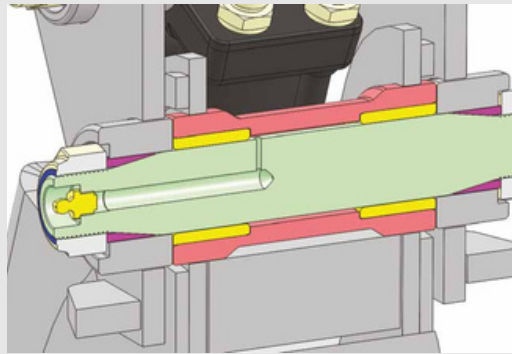
Powerful base

The unique design of the base frame of the SCE ensures that it is unprecedentedly strong. In addition, the entire frame consists of high-strength steel. This makes this frame one of the strongest frames on the market.



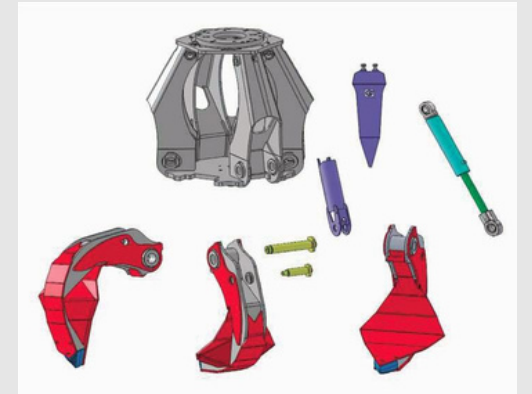
Conical pins

The optional conical pins ensure that the play that occurs between the pins and bushings due to wear can be remedied.



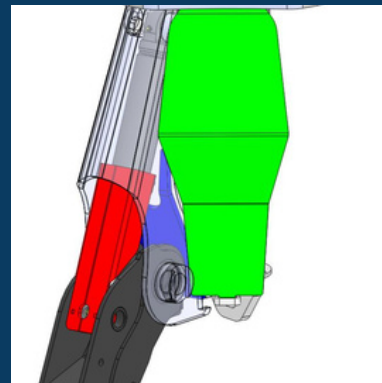
The strongest materials

The SCE consists of extra strong materials to provide the most powerful gripper possible. For example, Weldom 700, steel 450 HB, steel E355, steel S355, hardened steel 42CrMo4 and 39NiCrMo4 are used. The teeth tips are made of a special Manganese steel alloy.



Easy maintenance

The power of the SCE and its excellent protection of the hydraulic parts do not prevent easy maintenance. The strong, easy-to-dismantle protection plates allow you to replace the hoses within a few minutes if necessary.



Optional rotator

Our in-house developed and manufactured GRI slewing ring rotator is an unmissable option on the SCE. Simple in design and equipped with an internal oil distributor, which eliminates the need for the hoses connecting the gripper to the rotator.



Powder coat

Various parts are powder coated and assembled with the utmost care. This provides excellent long-term protection

