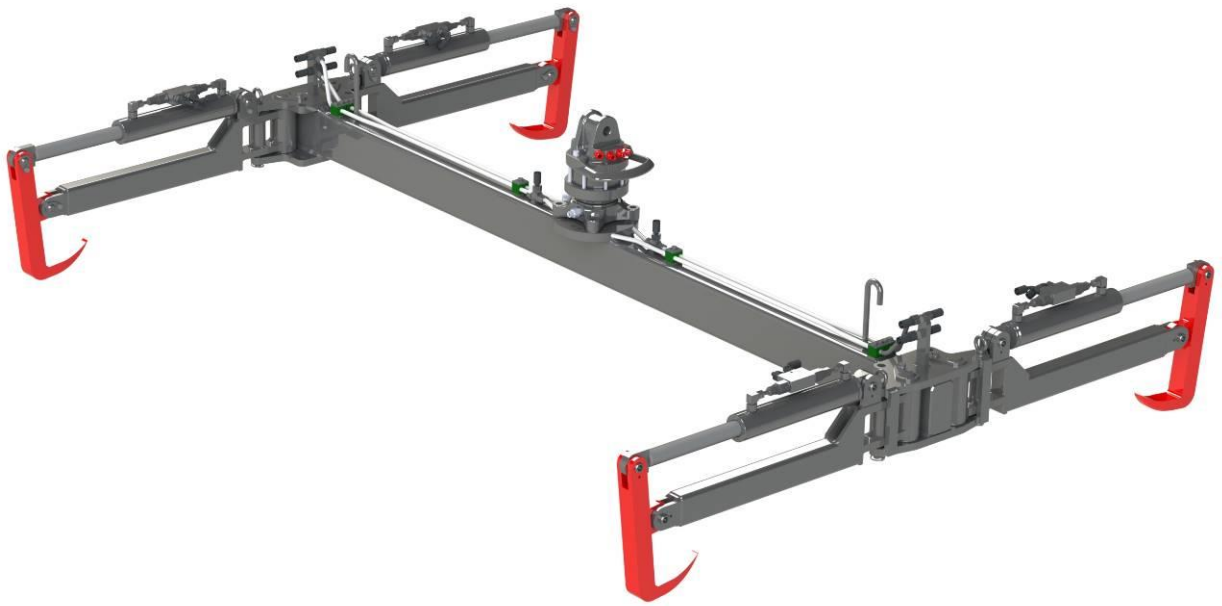




Bakker Hydraulic Products bv

BMKI

MESH CLAMP



The BMKI is the mesh clamp of the new generation. Specially made to hoist stacks of mesh.

Accessories : rotator, link.

Type	Weight	Hoist capacity	Working pressure
BMKI	275 kg	2000 kg	200 Bar

We reserve the right to make changes.

