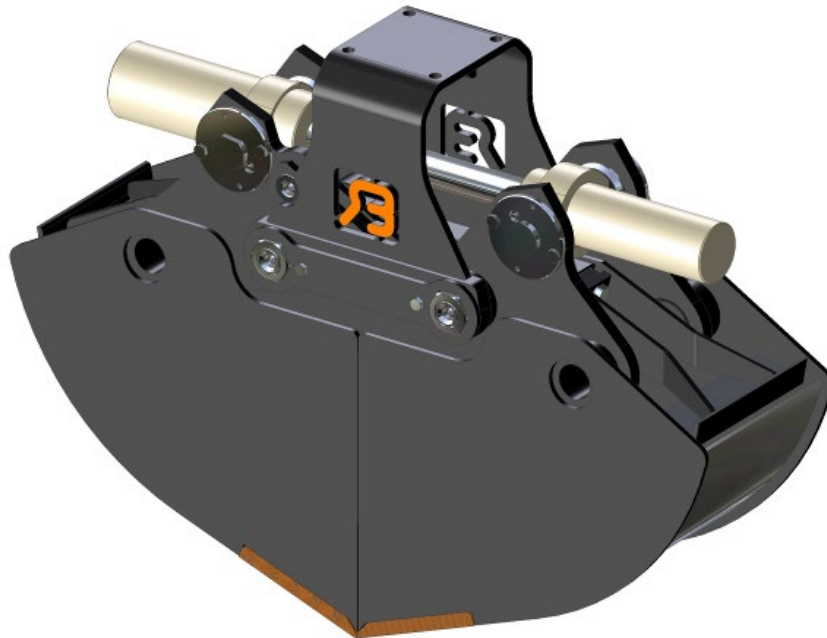




HBB Clamp Shell Bucket

Gusella Bakker



This product is a grab bucket, which is suitable for normal, light-duty digging in sand and clay and is considered an exchangeable equipment within the scope of the machinery directive 2006/42/EC. Be sure that the machine, of which this grab will be part of, meets the appropriate requirements and/or regulations and is well maintained. This grab is equipped with a cylinder fitted with two pistons, which gives the grab bucket great penetrating power. For more heavy duty work, screw-on teeth can be attached.

As this grab can be equipped with a hoisting hook it is also possible to lift goods. The user has to use approved hoisting equipment (chains, hoisting hooks etc.).

Type	Blade length	Contents	Weight	Workload	Pinch force
HBB 40	400 mm	60 ltr	103 kg	200 bar	23 kN
HBB 50	500 mm	75 ltr	120 kg	200 bar	23 kN