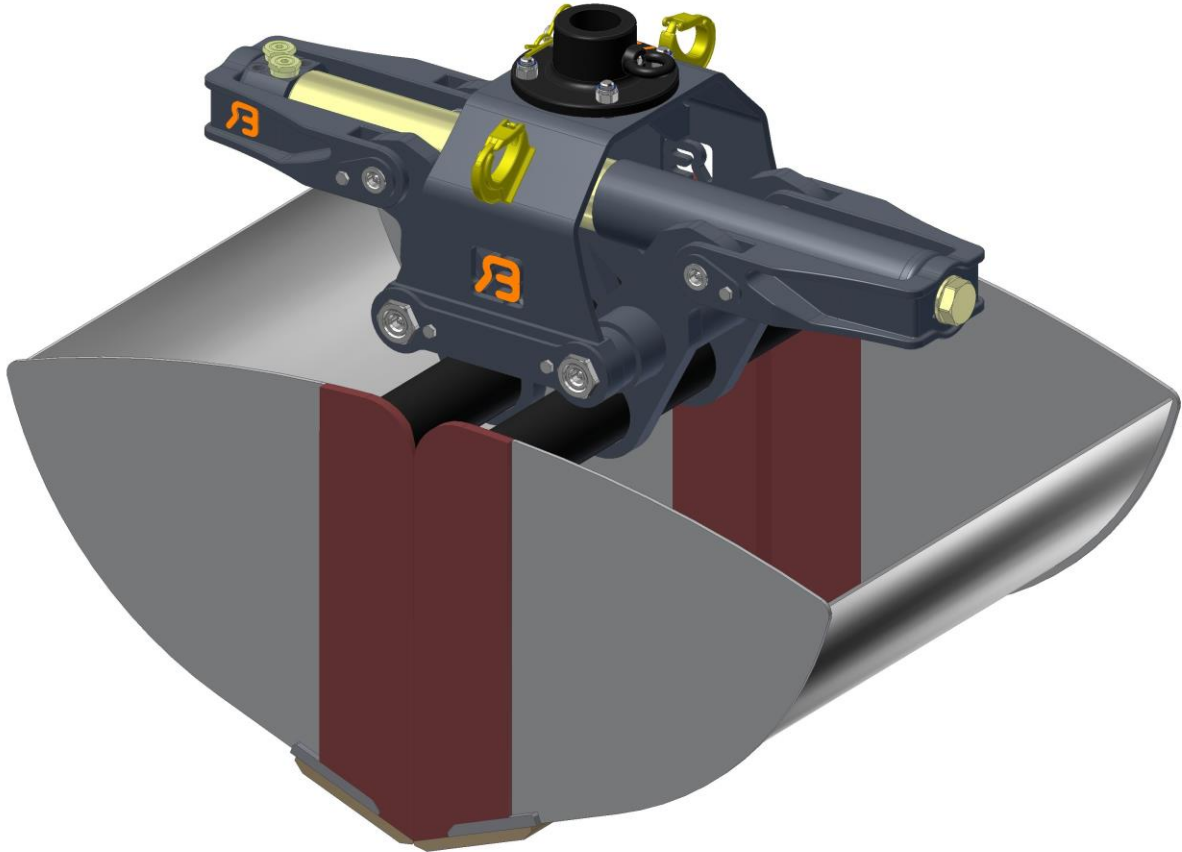




Bakker Hydraulic Products bv

# KBX GRAB



The KBX is a grab for normal excavation work. The large spread when the grab is open makes this type very suitable for loading and unloading bulk materials such as sand, powder and gravel. Standard equipped with a reinforced cylinder, which means that the grab has a very good capability to penetrate. Standard equipped with a double-walled cylinder with 2 non-return valves built into the cylinder.

This grab has very low maintenance requirements and is very durable.

**Accessories:** suspension plate, ejector, link, rotator.

Type	Blade length	Capacity	Weight	Working pressure	Grabbing force
KBX 55	570 mm	300 ltr	375 kg	250 bar	25 kN
KBX 65	670 mm	350 ltr	390 kg	250 bar	25 kN
KBX 80	820 mm	430 ltr	410 kg	250 bar	25 kN
KBX 90	920 mm	490 ltr	430 kg	250 bar	25 kN
KBX 100	1020 mm	540 ltr	445 kg	250 bar	25 kN
KBX 120	1220 mm	650 ltr	475 kg	250 bar	25 kN

Right to make changes is reserved.