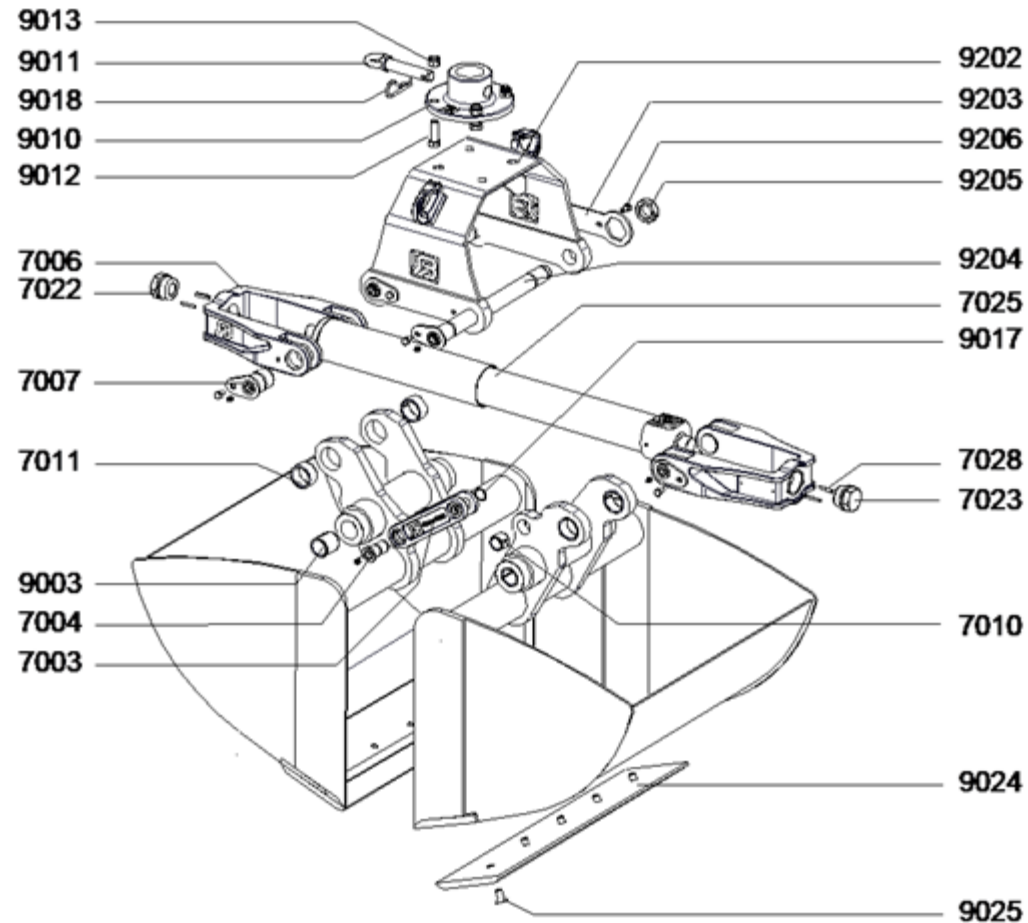




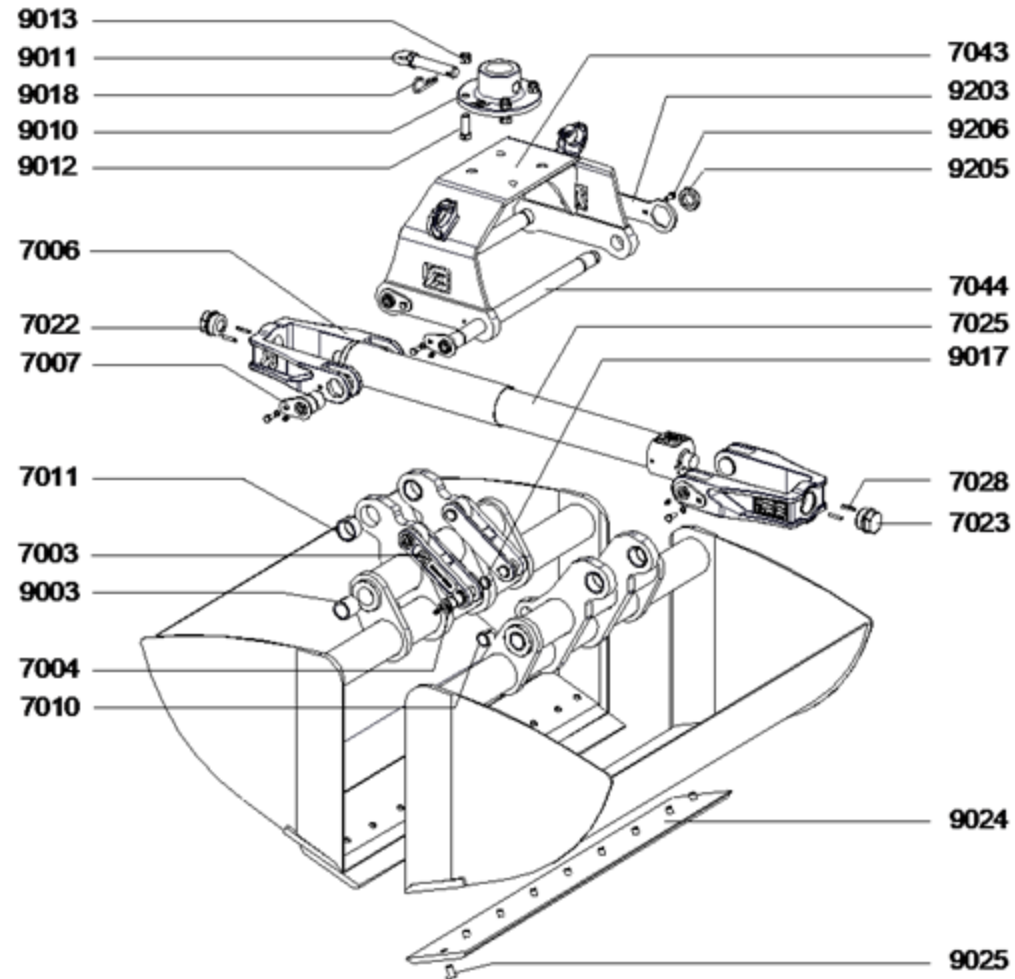
# Spare Parts List

---

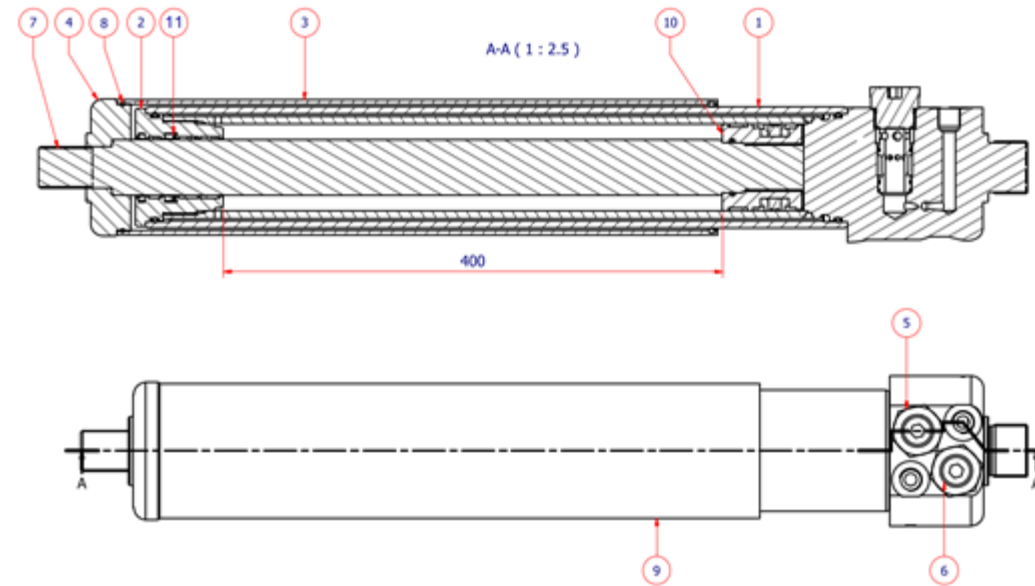
KBX

**KBX 55-65-80**

**SPARE PARTS**

PART No.	QUANTITY	SPECIFICATION
7003	1	STEADY LINK
7004	2	PIN
7006	2	YOKE
7007	4	PIN
7010	2	SPLIT BUSH
7011	4	SPLIT BUSH
7022	1	NUT
7023	1	NUT
7025	1	CYLINDER
7028	2	ROLL PIN
9003	4	SPLIT BUSH
9010	1	SUSPENSION PLATE
9011	1	SUSPENSION PIN
9012	4	BOLT
9013	4	NUT
9017	2	CIRCLIP Ø 30 MM
9018	1	HAIRPIN SPRING
9024	2	BLADE
9025	see chart	BOLT
9202	1	SADDLE PLATE
9203	1	LOCKING SPANNER
9204	2	SHAFT
9205	2	NUT
9206	4	BOLT
Grab type		KBX-55    KBX-65    KBX-80
Quantity 9025		8            10            10

**SPARE PARTS**
**KBX 90-100-120**


PART No.	QUANTITY	SPECIFICATION
7003	1	STEADY LINK
7004	2	PIN
7006	2	YOKE
7007	4	PIN
7010	2	SPLIT BUSH
7011	4	SPLIT BUSH
7022	1	NUT
7023	1	NUT
7025	1	CYLINDER
7028	2	ROLL PIN
7043	1	SADDLE PLATE
7044	2	SHAFT
9003	4	SPLIT BUSH
9010	1	SUSPENSION PLATE
9011	1	SUSPENSION PIN
9012	4	BOLT
9013	4	NUT
9017	2	CIRCLIP Ø 30 MM
9018	1	HAIRPIN SPRING
9024	2	BLADE
9025	see chart	BOLT
9203	1	LOCKING SPANNER
9205	2	NUT
9206	4	BOLT
Grab type		KBX-90    KBX-100    KBX-120
Quantity	9025	14            14            18



POS	PART N°	SPECIFICATION	QUANTITY
1	9111	CYLINDER CASING	1
2	9119	HEAD BUSH	1
3	7021	PISTON ROD PROTECTION	1
4	7024	COVER PLATE	1
5	9200	NON-RETURN VALVE	1
6	75798	COUNTERBALANCE VALVE	1
7	9259	PISTON ROD	1
8	7026	LOCKING WIRE	1
9	7025	CYLINDER	1
10	9211	PISTON	1
11	9116	SEAL KIT CYLINDER	1
	9201	SEAL KIT NON-RETURN VALVE	1
	9116	SEAL KIT COUNTERBALANCE VALVE	1



- © Gusella Bakker B.V.
- Nijverheidsweg 6
- 6662 NG Elst (Gld) The Netherlands
- Tel : + 31 481 374757
- Site : [www.gusella-bakker.com](http://www.gusella-bakker.com)
- E-mail : [info@gusella-bakker.com](mailto:info@gusella-bakker.com)