

RBOX

Multi-purpose Grab



RBOX-Series clamshell grab, the all-rounder among the Multi purpose grabs.

This grab can handle everything. Also suitable for digging in soil and light clay. With the help of optionally available, bolt-on side plates, you can also use the grab when loading gravel, grit, flour, etc.

In addition specially made tile beams are available for handling steel road plates, etc.

The RBOX-series is standard equipped with reversible blades, patented double-walled cylinder with piston rod protection and safety check valves.

The clamshell grab is engineered for safe operation, featuring robust construction, easily accessible wear parts, and a design optimized for long-term durability and reduced maintenance requirements.

Accessoires: suspension plate, side plates, rotator, link, rubber jaws, road plate segments

The interchangeable blades

The RBOX is equipped as standard with wear-resistant interchangeable blades that are bolted to the shells. When the blades are worn, they can be unscrewed and turned over to use the other side.

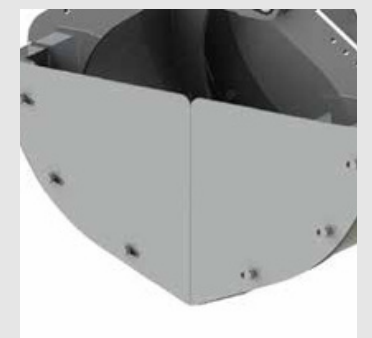


The Cylinder

The RBOX has a patented double-walled cylinder that is equipped with piston rod protection.

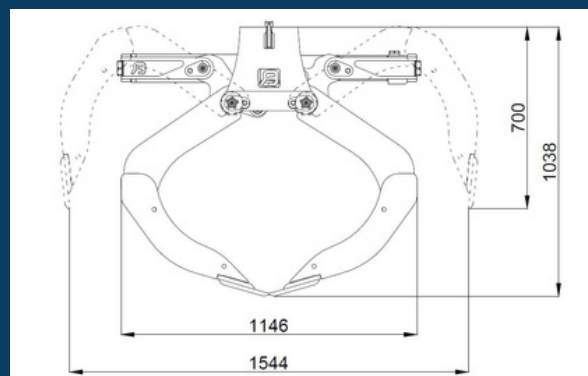
Optional side plates

For loading and unloading gravel, grit, etc., separate side plates are optionally available with which you can turn your RBOX into a closed grab.



Gripping opening

The RBOX has a large gripping opening that can also be used to pick up road plates up to a width of 1544 mm.

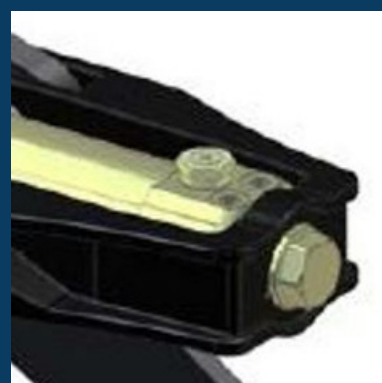


Optional road plate segment set

It is also possible to install a set of road plate segments. This turns your RBOX into a road plate clamp that can easily pick up road plates with a width of up to 2000mm.

Check valve

Due to a malfunction in the hydraulic system of the crane, the pressure in the cylinder can drop. To prevent the load from falling out of the grab in such situations, it is equipped with a non-return valve as standard.



The saddle plate with weld-on hooks

Two weld-on hooks are mounted on the saddle plate as standard. Because the hooks are bolted, they are easy to replace if necessary.

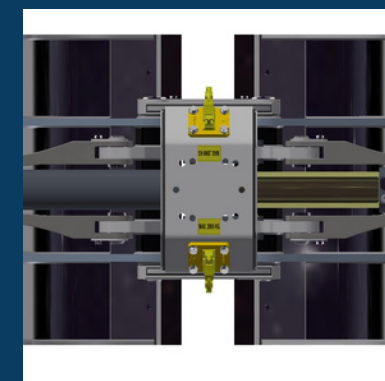
Locking devices



The main pins are secured by recessing the locks into the bridge piece plate on one side and the nuts on the other side are secured with a locking key. This key is also suitable for loosening/tightening the nuts of the cylinder.

The hole pattern

The frame is equipped with the hole pattern for a flange rotator with 4 holes and for a flange rotator with 6 holes.



Type	Width mm	Capacity Ltr	Maximum working pressure Bar	Gripping Force kN	Weight Kg
RBOX 55	570	250	250	20	300
RBOX 65	670	300	250	20	320
RBOX 80	820	400	250	20	345
RBOX 90	920	450	250	20	360
RBOX 100	1020	500	250	20	380
RBOX 120	1220	600	250	20	415